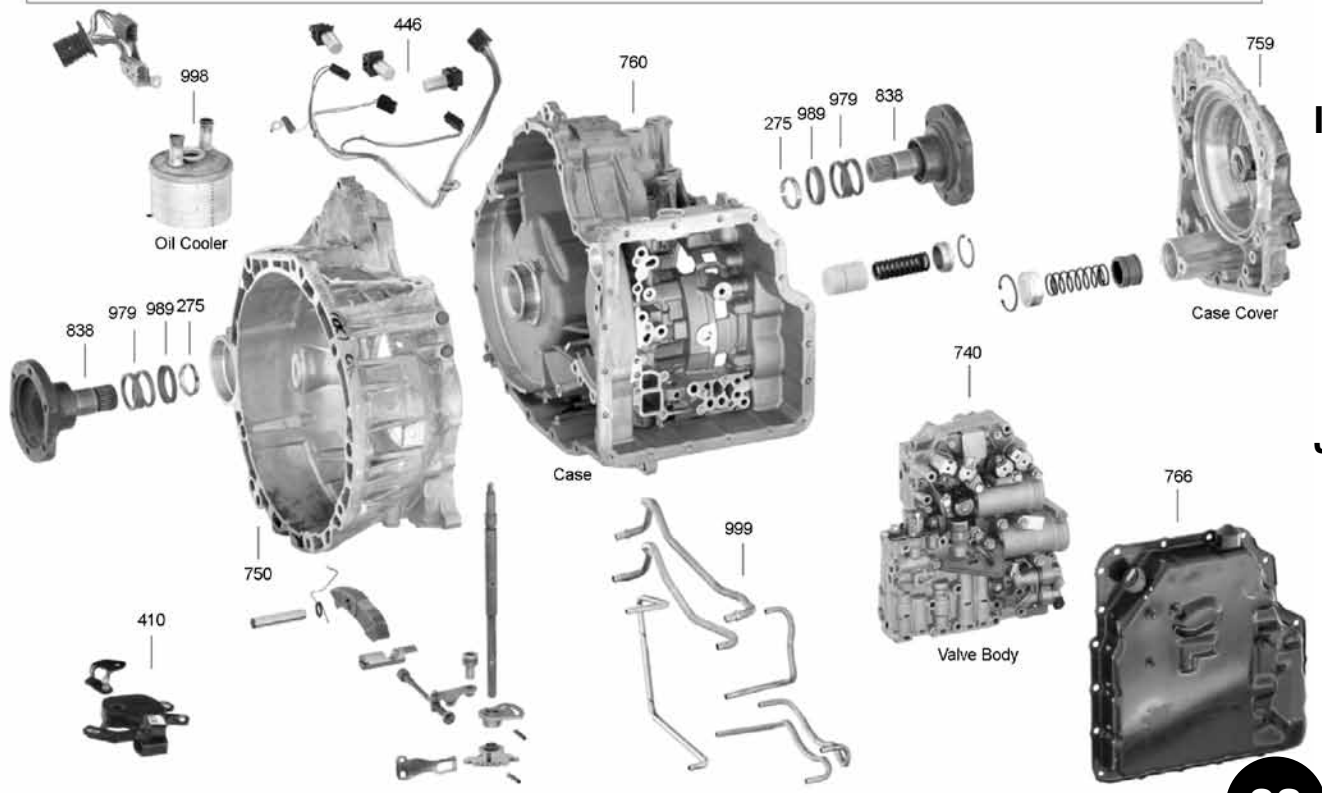
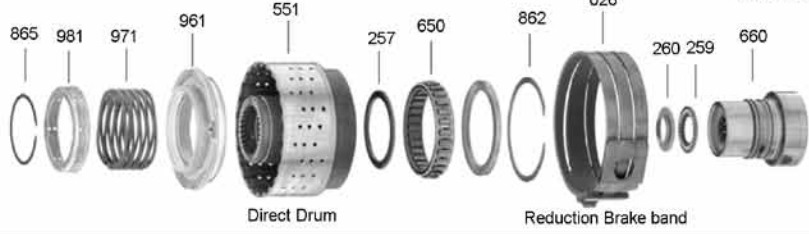
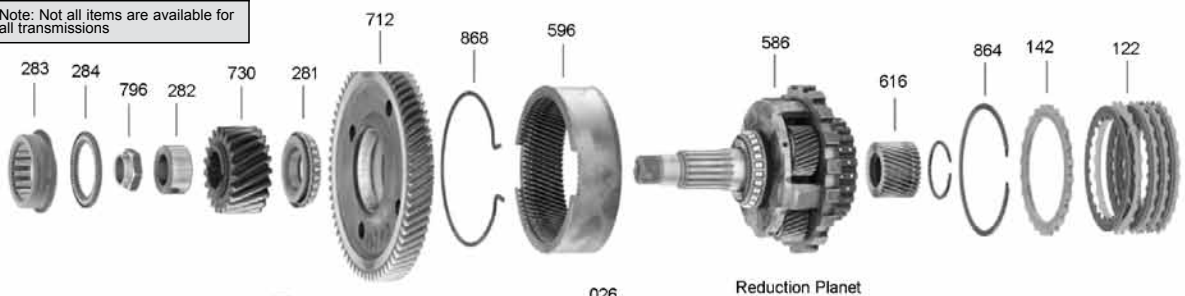
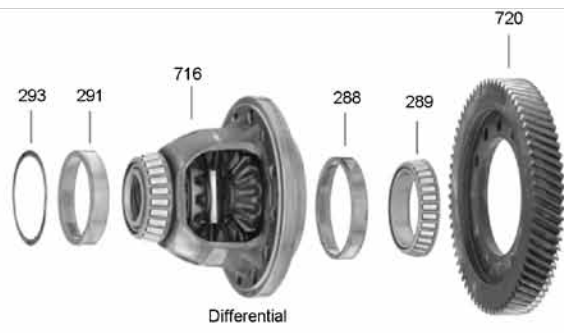


JF506E

Deluxe Kit -----	008
Compliance Kit -----	007
Master Kit -----	006
Less Steel Kit -----	004
Overhaul Kit -----	002
Bushing Kit -----	030
Washer Kit -----	200
Bearing Kit -----	201
Technical Manual -----	400
Pump Part -----	507
Valve Body Parts -----	741
Case Parts -----	761
Note: Not all items are available for all transmissions	



F

G

H

I

J

JF506E

JF506E



98301



98010



98010A



98010B

ILL.	DESCRIPTION	QTY.	YEAR	PART NO.	REF. NO.
MASTER OVERHAUL KITS (WITH STEELS)					
006F	Mazda, Land Rover (w/ Bonded Piston Retainers).....	1	02-Up	98006A	N.L.
006F	Jaguar, Rover (w/ Bonded Piston Retainers).....	1	99-Up	98006C	N.L.
006F	VW (w/ Bonded Piston Retainers)	1	00-Up	98006B	N.L.
LESS STEEL KITS					
004F	Mazda, Land Rover (w/ Bonded Piston Retainers).....	1	02-Up	98004A	N.L.
004F	Jaguar, Rover (w/ Bonded Piston Retainers).....	1	99-Up	98004C	N.L.
004F	VW (w/ Bonded Piston Retainers)	1	00-Up	98004B	N.L.
OVERHAUL KITS (W/ RINGS & SEALS)					
002F	Mazda, Land Rover.....	1	02-Up	98002A	N.L.
002F	Jaguar, Rover.....	1	99-Up	98002C	N.L.
002F	VW	1	00-Up	98002B	N.L.
FILTERS					
010	Round Pickup (Jaguar, Mazda, Land Rover)	1	99-Up	98010	FP01-21-500
010	Rectangular Pickup (.650") (VW Exc Sharan)	1	00-Up	98010A	N.L.
010	Rectangular Pickup (1.300") (VW Sharan)	1	00-Up	98010B	N.L.
BANDS					
Prefix Key: B = Borg Warner, A = OEM (Exc BW), N = All Other New, R = Relined					
026H	Reduction.....	1	99-Up	98026	FP01-19-360
BUSHINGS					
030F	Bushing Kit.....	1	99-Up	98030	N.L.
034A	Pump.....	1	99-Up	83034A	31405-31X13
METAL CLAD SEALS					
070A	Pump.....	1	02-Up	98070	N.L.
076I	Axle, Left & Right (Mazda).....	2	02-Up	98076	N.L.
076I	Axle, Left & Right (VW).....	2	00-Up	98076A	N.L.
076I	Axle, Left & Right (Land Rover)	2	02-Up	98076B	N.L.
076I	Axle, Left & Right (Jaguar, Rover) (2wd)	1	99-Up	98077	N.L.
077I	Axle, Right (Jaguar, Rover) (Awd)	1	99-Up	98076C	N.L.
FRICION PLATES					
100G	Direct.....	4	99-Up	98100	FP01-19-580
104C	2-4.....	3	99-Up	98104	FP01-19-3VO
106E	High.....	5	99-Up	83106BA	31532-80X10
108C	Low	7	99-Up	23108	31532-AA170
110E	Reverse.....	2	99-Up	98110	FP01-19-610
114B	Low/ Reverse	6	99-Up	83114BA	31662-80X02
STEEL PLATES					
120G	Direct.....	4	99-Up	98120	FP01-19-499
124C	2-4.....	2	99-Up	98124	FP01-19-3N4
126E	High (.063").....	1	99-Up	98126A	FP01-19-6E2
126E	High (.094").....	4	99-Up	98126	FP01-19-6E1
128C	Low	7	99-Up	98128	FP01-19-561
130E	Reverse.....	2	99-Up	98130	FP01-19-571
134B	Low/ Reverse	5	99-Up	98134	FP01-19-609

ILL.	DESCRIPTION	QTY.	YEAR	PART NO.	REF. NO.
PRESSURE PLATES					
140G	Direct (.170").....	1	99-Up	98140	N.L.
144C	2-4 Brake (Backing) (.165").....	1	99-Up	98144	N.L.
145C	2-4 Brake (Apply) (.165").....	1	99-Up	98145A	N.L.
145C	2-4 Brake (Apply) (.300").....	1	99-Up	98145B	N.L.
146E	High (.118").....	1	99-Up	98146	N.L.
146E	High (.134").....	1	99-Up	98146B	N.L.
148C	Low (.160").....	1	99-Up	98148	N.L.
150D	Reverse (.150").....	1	99-Up	98150A	N.L.
154B	Low/ Reverse (Backing) (.150").....	1	99-Up	98154	N.L.
154B	Low/ Reverse (Backing) (.250").....	1	99-Up	98154A	N.L.
155B	Low/ Reverse (Apply) (.100").....	1	99-Up	98155A	N.L.
GASKETS & O-RINGS					
301J	Gasket, Side Pan.....	1	99-Up	98301	N.L.
TECHNICAL MANUALS					
400F	Tech Manual (ATSG).....	1	99-Up	98400	JATCO JF506E
400F	Tech Manual (Update) (Green Book) (ATSG).....	1	99-Up	98400C	506E UPDATE
400F	Rebuild Procedures (ATRA).....	1	99-Up	98400A	JATCO-REB
ELECTRICAL COMPONENTS - VW, LAND ROVER, JAGUAR					
420	Solenoid Group (VW, Land Rover, Jaguar).....	1	99-Up	98420	K19-40-RP000
421	Solenoid, Shift "A" (VW, Land Rover, Jaguar).....	1	99-Up	98421A	31941-PR006
422	Solenoid, Shift "B" (VW, Land Rover, Jaguar).....	1	99-Up	98422A	31941-PR000
423	Solenoid, Shift "C" (VW, Land Rover, Jaguar).....	1	99-Up	98423A	31941PR005
425	Solenoid, TCC (VW, Land Rover, Jaguar).....	1	99-Up	98425A	31941-PR010
428	Solenoid, 2-4 Brake Duty (Oil Pressure) (VW, Land Rover, Jaguar).....	1	99-Up	98428A	31941-PR011
431	Solenoid, EPC (Main Pressure) (VW, Land Rover, Jaguar).....	1	99-Up	98431A	31941-PR015
432	Solenoid, 2-4 Brake Timing (VW, Land Rover, Jaguar).....	1	99-Up	98432A	31941-PR008
432	Solenoid, Reduction Timing (VW, Land Rover, Jaguar).....	1	99-Up	98432B	31941-PR014
432	Solenoid, Shift Low Timing (VW, Land Rover, Jaguar).....	1	99-Up	98432C	31941-PR007
436	Sensor, Turbine, Input & Output (VW, Land Rover, Jaguar).....	3	99-Up	98436	31935-PW000
ELECTRICAL COMPONENTS - MAZDA					
420	Solenoid Group (Mazda).....	1	02-Up	98420A	K19-40-RP001
421	Solenoid, Shift "A" (Mazda).....	1	02-Up	98421B	31941-PM004
422	Solenoid, Shift "B" (Mazda).....	1	02-Up	98422A	31941-PR000
423	Solenoid, Shift "C" (Mazda).....	1	02-Up	98423B	31941-PM003
425	Solenoid, TCC (Mazda).....	1	02-Up	98425B	31941-PM000
430	Solenoid, Neutral Shift Control (Mazda).....	1	02-Up	98430	31941-PM005
430	Solenoid, 2-4 Shift Duty & Duty High Clutch Control (Mazda).....	2	02-Up	98430A	31941-PM001
431	Solenoid, EPC (Main Pressure).....	1	02-Up	98431A	31941-PR015
432	Solenoid, Reduction Timing (Mazda).....	1	02-Up	98432D	31941-PM002
436	Sensor, Turbine, Input & Output (Mazda).....	3	02-Up	98436	31935-PW000
HARD PARTS					
Prefix Key: D = OEM, A = Aftermarket New, R = Remanufactured, U = Quality Inspected					
PUMPS					
500A	Pump Assembly.....	1	99-Up	98500	N.L.
530	Pump Gears.....	1	99-Up	98530	N.L.
DRUMS & CLUTCH HUBS					
551H	Drum, Direct (23 Spline) (Land Rover).....	1	02-Up	98551	N.L.
551H	Drum, Direct (31 Spline) (Mazda, Jaguar).....	1	02-Up	98551A	N.L.
551H	Drum, Direct (31 Spline) (VW).....	1	00-Up	98551B	N.L.
554C	Drum, Low.....	1	99-Up	98554	N.L.
556E	Drum, Reverse.....	1	99-Up	98556	N.L.
575D	Hub, High.....	1	99-Up	98575	N.L.
578D	Hub, 2nd/ Reverse (32T / 32T).....	1	99-Up	98578	N.L.

ILL.	DESCRIPTION	QTY.	YEAR	PART NO.	REF. NO.
PLANETS					
582D	Planet, Front (3 Gear) (Land Rover).....	1	02-Up	98582	N.L.
582D	Planet, Front (4 Gear) (Mazda, Jaguar, VW).....	1	99-Up	98582A	N.L.
584D	Planet, Rear (4 Gear) (Land Rover).....	1	02-Up	98584	N.L.
584D	Planet, Rear (5 Gear) (Mazda, Jaguar, VW).....	1	99-Up	98584A	N.L.
586G	Planet, Reduction w/ Shaft (23T Sun Gear) (No Groove) (Land Rover).....	1	02-Up	98586	N.L.
586G	Planet, Reduction w/ Shaft (31T Sun Gear) (1 Groove) (VW).....	1	00-Up	98586B	N.L.
586G	Planet, Reduction w/ Shaft (31T Sun Gear) (2 Groove) (Mazda, Jaguar).....	1	99-Up	98586A	N.L.
594D	Ring Gear, Rear (74T).....	1	99-Up	98594	N.L.
596G	Ring Gear, Reduction (85T) (5.435" OD) (Mazda, Jaguar, VW).....	1	99-Up	98596A	N.L.
596G	Ring Gear, Reduction (93T) (5.565" OD) (Land Rover).....	1	02-Up	98596	N.L.
SUN GEARS, SHELLS & SUPPORTS					
612D	Sun Gear Hub, Front (34T).....	1	99-Up	98612	N.L.
614D	Sun Gear, Rear (42T).....	1	99-Up	98614	N.L.
616G	Sun Gear, Reduction (1 Groove) (VW).....	1	00-Up	98616B	N.L.
616G	Sun Gear, Reduction (2 Groove) (Mazda, Jaguar).....	1	99-Up	98616A	N.L.
616G	Sun Gear, Reduction (No Groove) (Land Rover).....	1	02-Up	98616	N.L.
SPRAGS					
650H	Sprag, Reduction.....	1	99-Up	98650	N.L.
654A	Low Roller Clutch.....	1	99-Up	98654	N.L.
660	Race/Support, Direct (2.875" Tall).....	1	99-Up	98660	N.L.
SHAFTS					
670A	Shaft, Input (2 Ring) (Land Rover, VW).....	1	00-Up	98670	N.L.
670A	Shaft, Input (3 Ring) (Mazda, Jaguar).....	1	99-Up	98670A	N.L.
DIFFERENTIALS					
715F	Differential Assembly (67T, No Groove) (Land Rover).....	1	02-Up	98715	N.L.
715F	Differential Assembly (68T, 4 Grooves) (Jaguar).....	1	99-Up	98715C	N.L.
715F	Differential Assembly (68T, 4 Grooves) (Mazda).....	1	02-Up	98715A	N.L.
715F	Differential Assembly (69T, No Groove) (VW).....	1	00-Up	98715B	N.L.
N.I.	Transfer Gear Kit (41T / 47T) (1 Groove Driven Gear) (Mazda).....	1	02-Up	98710BK	N.L.
N.I.	Transfer Gear Kit (52T / 67T) (1 Groove Driven Gear) (VW).....	1	00-Up	98710CK	N.L.
N.I.	Transfer Gear Kit (54T / 65T) (2 Groove Driven Gear) (Jaguar).....	1	99-Up	98710AK	N.L.
N.I.	Transfer Gear Kit (54T / 65T) (No Groove Driven Gear) (Land Rover).....	1	02-Up	98710K	N.L.
N.I.	Ring & Pinion (67T / 22T) (Land Rover).....	1	02-Up	98730K	N.L.
N.I.	Ring & Pinion (68T / 21T) (Mazda, Jaguar).....	1	99-Up	98730AK	N.L.
N.I.	Ring & Pinion (69T / 20T) (VW).....	1	00-Up	98730BK	N.L.
VALVE BODIES					
740J	Valve Body (Premium) (Mazda).....	1	02-Up	P98740-1	N.L.
740J	Valve Body (Premium) (VW).....	1	00-Up	P98740-2	N.L.
740J	Valve Body (Premium) (Land Rover, Jaguar).....	1	99-Up	P98740-3	N.L.
CASES & HOUSINGS					
750J	Bell Housing (12 Bolt) (Cast PRO43) (Land Rover).....	1	02-Up	98750	N.L.
750J	Bell Housing (21 Bolt) (Cast JP JC7 091) (VW).....	1	00-Up	98750B	N.L.
750J	Bell Housing (22 Bolt) (Cast PM2) (Mazda).....	1	02-Up	98750A	N.L.
750J	Bell Housing (23 Bolt) (Cast PLO42) (Jaguar).....	1	99-Up	98750C	N.L.
759I	Cover, Rear (Cast PRO) (Land Rover, Mazda, Jaguar).....	1	99-Up	98759	N.L.
759I	Cover, Rear (Cast PWO) (VW).....	1	00-Up	98759A	N.L.
760I	Case (21 Bolt) (No Top Vent) (VW).....	1	00-Up	98760B	N.L.
760I	Case (21 Bolt) (Top Vent) (Land Rover).....	1	02-Up	98760	N.L.
760I	Case (22 Bolt) (Top Vent) (Mazda).....	1	02-Up	98760A	N.L.
760I	Case (23 Bolt) (No Top Vent) (Jaguar).....	1	99-Up	98760C	N.L.
766J	Pan, Side (2 Stud) (Land Rover).....	1	02-Up	98766	N.L.
766J	Pan, Side (3 Stud) (Jaguar).....	1	99-Up	98766C	N.L.
766J	Pan, Side (4 Stud) (VW).....	1	00-Up	98766B	N.L.
766J	Pan, Side (No Stud) (Mazda).....	1	02-Up	98766A	N.L.

