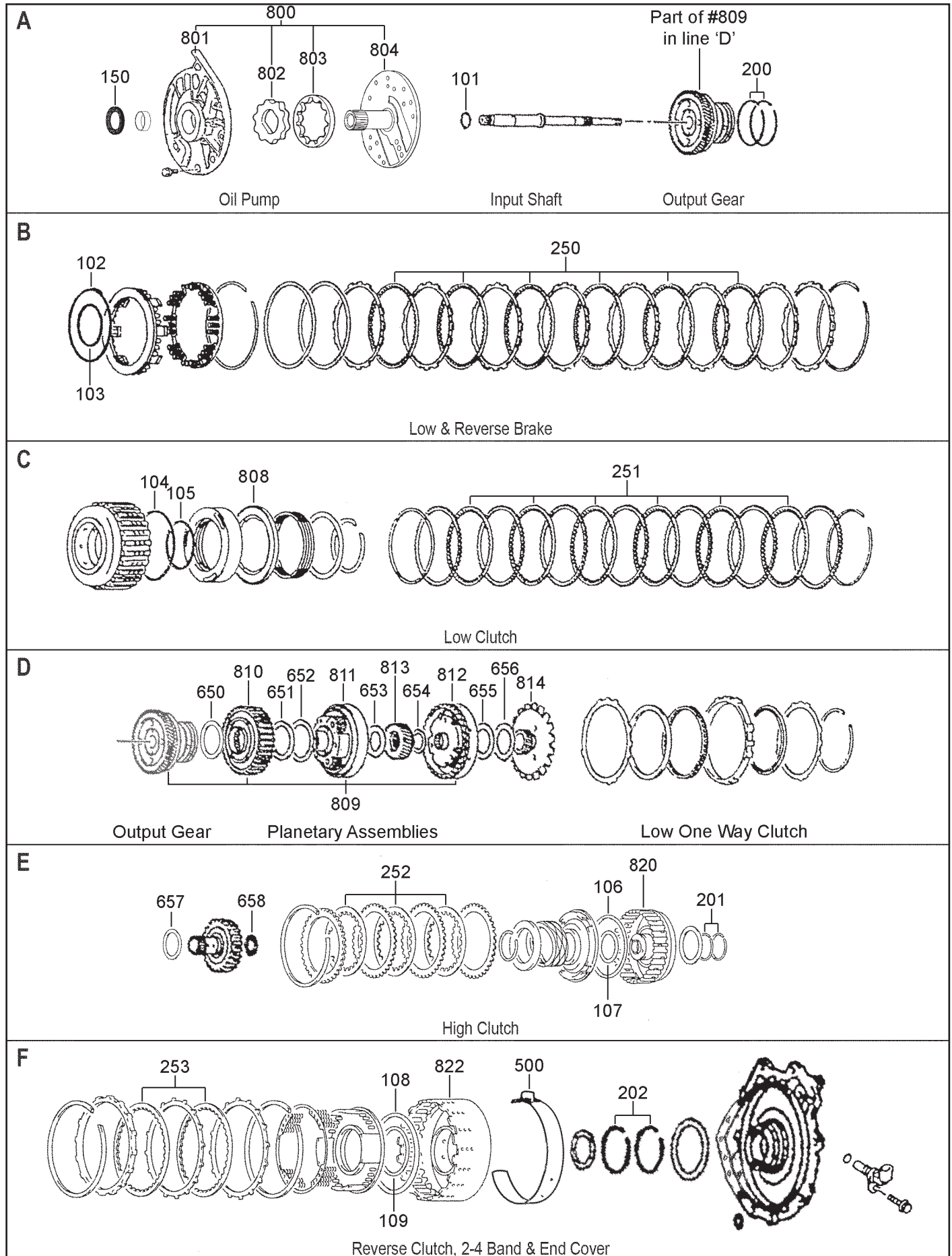
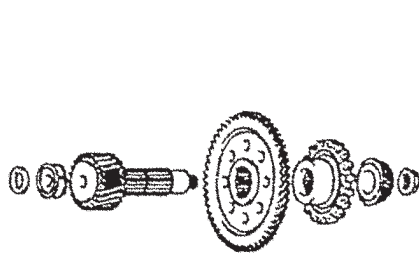


JF405E (Formerly JF402E)(Hyundai Atoz), (Suzuki Wagon R Plus, MR Wagon, Cervo), (Nissan Moco, Pino), (Mazda AZ-Wagon, Spiano),(Kia Morning), (GM Daewoo Matiz) (Opel Agila) - 4 Speed FWD (Electronic Control)

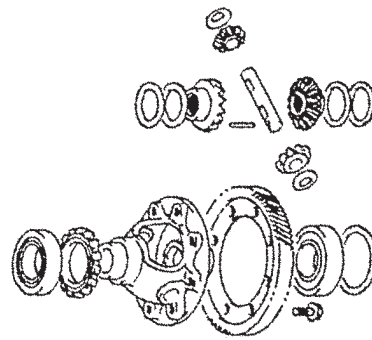


JF405E (Formerly JF402E)(Hyundai Atoz), (Suzuki Wagon R Plus, MR Wagon, Cervo), (Nissan Moco, Pino), (Mazda AZ-Wagon, Spiano),(Kia Morning), (GM Daewoo Matiz) (Opel Agila) - 4 Speed FWD (Electronic Control)

G

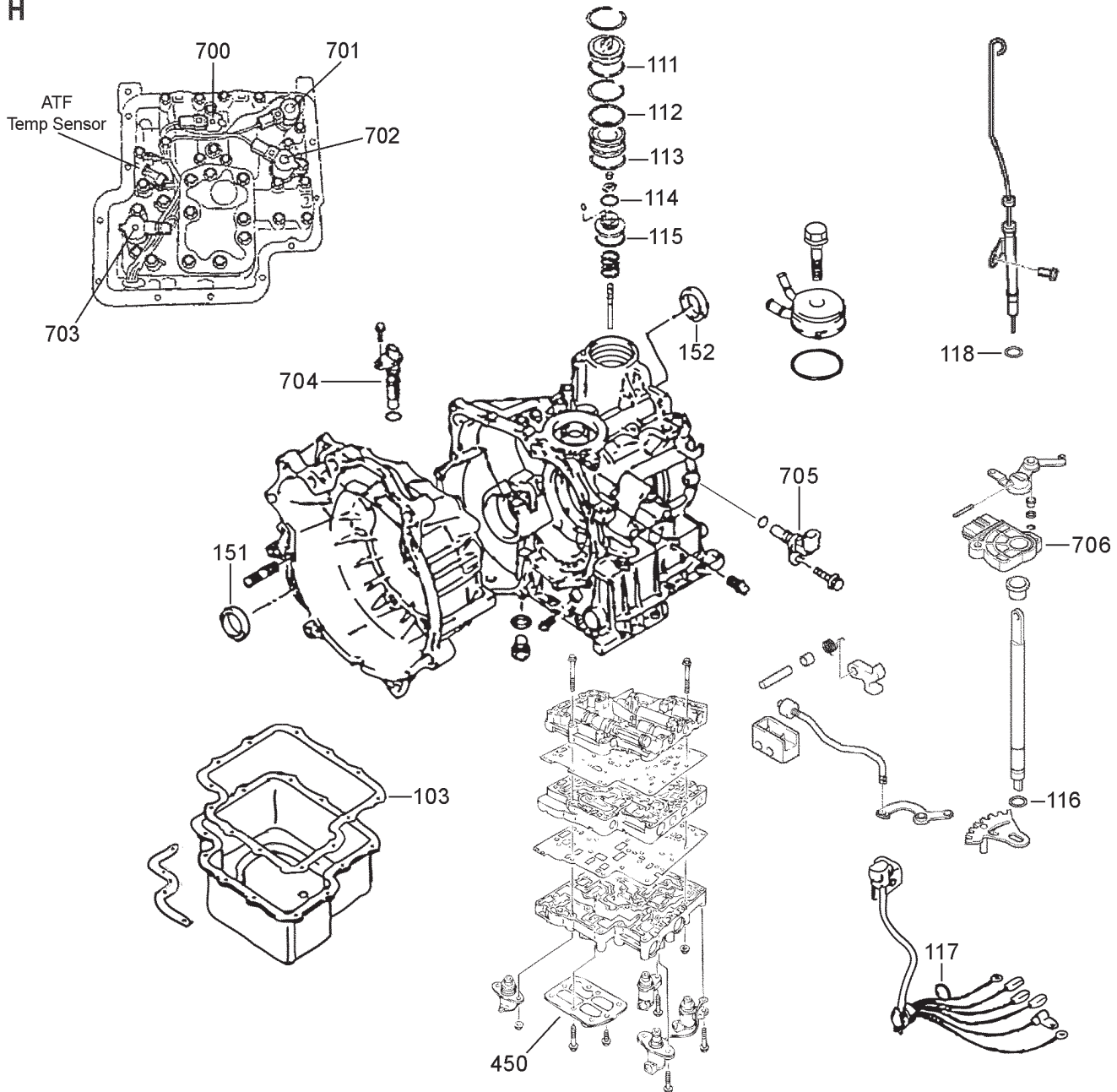


Reduction Gear Assembly



Differential Assembly

H



Casing, Bell Housing, Valve Body & Associated Parts

JF405E (Formerly JF402E)(Hyundai Atoz), (Suzuki Wagon R Plus, MR Wagon, Cervo), (Nissan Moco, Pino), (Mazda AZ-Wagon, Spiano),(Kia Morning), (GM Daewoo Matiz) (Opel Agila) - 4 Speed FWD (Electronic Control)

ILL NO.	DESCRIPTION	YEARS	QTY	PART NO
KITS				
Kit	Master Overhaul Kit (With Friction & Steel Plates)....	98-ON	1	JF402E.MOHK01
Kit	Super Overhaul Kit (With Band, Filter, Friction & Steel Plates)	98-ON	1	JF402E.SOHK01
Kit	Overhaul Kit (OEM) (Hyundai Atoz)	98-ON	1	JF402E.OHK01
Kit	Overhaul Kit (Transtec) (Suzuki, Nissan, Mazda, Hyundai, Kia, Daewoo)	98-ON	1	JF402E.OHK02
Kit	Overhaul Kit (Precision) (Suzuki, Nissan, Mazda, Hyundai, Kia, Daewoo)	98-ON	1	JF402E.OHK51
GASKETS				
103H	Oil Pan	98-ON	1	JF402E.GAS01
NI	Washer, Drain Plug	98-ON	1	JF402E.GAS05
RUBBER COMPONENTS				
101A	'O' Ring, Input Shaft	98-ON	1	JF402E.OR22
102C	'D' Ring, Low/Reverse (Outer) ..	98-ON	1	JF402E.OR08
103C	'D' Ring, Low/Reverse (Inner) ...	98-ON	1	JF402E.OR07
104B	'D' Ring, Low Clutch (Outer)	98-ON	1	JF402E.OR06
105B	'D' Ring, Low Clutch (Inner)	98-ON	1	JF402E.OR05
106E	'D' Ring, High Clutch (Outer)....	98-ON	1	JF402E.OR10
107E	'D' Ring, High Clutch (Inner)	98-ON	1	JF402E.OR09
108F	'D' Ring, Reverse Clutch(Outer)	98-ON	1	JF402E.OR12
109F	'D' Ring, Reverse Clutch (Inner)	98-ON	1	JF402E.OR11
111H	'O' Ring, Servo Cover	98-ON	1	JF402E.OR13
112H	'O' Ring, Servo (Sleeve Upper) ..	98-ON	1	JF402E.OR17
113H	'O' Ring, Servo (Sleeve Lower) ..	98-ON	1	JF402E.OR16
114H	'D' Ring, Servo (Small)	98-ON	1	JF402E.OR14
115H	'D' Ring, Servo (Large)	98-ON	1	JF402E.OR15
116H	'O' Ring, Manual Shaft	98-ON	1	JF402E.OR19
117H	'O' Ring, Case Connector	98-ON	1	JF402E.OR20
118H	'O' Ring, Dipstick	98-ON	1	JF402E.OR18
NI	'O' Ring, Input Shaft	98-ON	2	JF402E.OR21
METAL CLAD SEALS				
150A	Converter Seal (Atoz, Amica, Matiz)	98-ON	1	JF402E.MCS01
151H	Axle (54 x 35 x 7mm)	98-ON	1	JF402E.MCS02
152H	Axle (52 x 35 x 8mm)	98-ON	1	JF402E.MCS03
MOULDED PISTONS				
SEALING RINGS				
200A	Output Gear (Teflon®)	98-ON	2	JF402E.SSR06
201E	High Clutch (Teflon®)	98-ON	2	JF402E.SSR05
202F	Reverse Clutch (Teflon®)	98-ON	2	JF402E.SSR07

ILL NO.	DESCRIPTION	YEARS	QTY	PART NO
FRICTION PLATES				
250B	Low& Reverse Brake (Raybestos) (130.6mm OD x 1.57mm x 36T)	98-ON	7	JF402E.FRP02
250B	Low& Reverse Brake (Alto) (130.6mm OD x 1.57mm x 36T)	98-ON	7	JF402E.FRP52
251C	Low Clutch (Raybestos) (109.5mm OD x 1.57mm x 38T)	98-ON	7	JF402E.FRP01
251C	Low Clutch (Alto) (109.5mm OD x 1.57mm x 38T)	98-ON	7	JF402E.FRP51
252E	High Clutch (Raybestos) (89.1mm OD x 1.57mm x 24T)	98-ON	3	JF402E.FRP03
252E	High Clutch (Alto) (89.1mm OD x 1.57mm x 24T)	98-ON	3	JF402E.FRP53
253F	Reverse Clutch (Raybestos) (110.3mm OD x 1.57mm x 36T)	98-ON	2	JF402E.FRP04
253F	Reverse Clutch (Alto) (110.3mm OD x 1.57mm x 36T)	98-ON	2	JF402E.FRP54
STEEL PLATES				
300B	Low& Reverse Brake (120.8mm ID x 1.80mm x 10T)	98-ON	7	JF402E.STP02
301C	Low Clutch (101mm ID x 1.42mm x 36T)	98-ON	7	JF402E.STP01
302E	High Clutch (74.5mm ID x 2.01mm x 36T) ...	98-ON	3	JF402E.STP03
303F	Reverse Clutch (100mm ID x 1.98mm x 16T)	98-ON	2	JF402E.STP04
PRESSURE PLATES				
SPRINGS & CIRCLIPS				
FILTERS				
450H	Filter, (Atoz, Amica, Matiz)	98-ON	1	JF402E.FIL01
BANDS				
500F	Brake Band (Atoz, Amica, Matiz)	98-ON	1	JF402E.BAN01
BUSHINGS				
THRUST WASHERS & BEARINGS				
650D	Radial Bearing, Output Gear to Front Annulus	98-ON	1	JF402E.TOR01
651D	Radial Bearing, Annulus to Front Planet	98-ON	1	JF402E.TOR02
652D	Thrust Race, Annulus to Front Planet	98-ON	1	JF402E.TOR03

JF405E (Formerly JF402E)(Hyundai Atoz), (Suzuki Wagon R Plus, MR Wagon, Cervo), (Nissan Moco, Pino), (Mazda AZ-Wagon, Spiano),(Kia Morning), (GM Daewoo Matiz) (Opel Agila) - 4 Speed FWD (Electronic Control)

ILL NO.	DESCRIPTION	YEARS	QTY	PART NO
THRUST WASHERS & BEARINGS Cont...				
653D	Radial Bearing, Front Planet to Front Sun Gear.....	98-ON	1	JF402E.TOR04
654D	Radial Bearing, Front Sun Gear to Rear Planet.....	98-ON	1	JF402E.TOR05
655D	Radial Bearing, Rear Planet to Rear Sun Gear.....	98-ON	1	JF402E.TOR08
656D	Thrust Race, Rear Planet to Rear Sun Gear.....	98-ON	1	JF402E.TOR07
657E	Radial Bearing, Rear Sun Gear to High Clutch Hub.....	98-ON	1	JF402E.TOR08
658E	Radial Bearing, High Clutch Hub to High Clutch Drum.....	98-ON	1	JF402E.TOR09
ELECTRICAL COMPONENTS				
Kit	Solenoid Kit (4 Solenoids).....	98-ON	1	JF402E.SOL10
700H	Pressure Control Solenoid (EPC) (Brown Connector).....	98-ON	1	JF402E.SOL01
701H	Shift Solenoid 'B' (White Connector).....	98-ON	1	JF402E.SOL03
702H	Shift Solenoid 'A' (Green Connector).....	98-ON	1	JF402E.SOL04
703H	Lock Up Solenoid (TCC) (Black Connector).....	98-ON	1	JF402E.SOL02
704H	Speed Sensor, Output (OSS)....	98-ON	1	JF402E.ELE03
705H	Speed Sensor, Input (TSS).....	98-ON	1	JF402E.ELE02
706H	Range Switch.....	98-ON	1	JF402E.INH01
VALVE BODY PARTS				
HARD PARTS				
800A	Pump Assembly (Complete)	98-ON	1	JF402E.PUM01
801A	Pump Housing (Without Gears)	98-ON	1	JF402E.PUM02
802A	Pump Inner Gear	98-ON	1	JF402E.PUM04
803A	Pump Outer Gear.....	98-ON	1	JF402E.PUM05
804A	Pump Cover/Stator Assembly ...	98-ON	1	JF402E.PUM03
808C	Piston, Balance Low Clutch	98-ON	1	JF402.PIS01
809D	Planetary Kit (Atoz)	98-ON	1	JF402E.PLK01
810D	Annulus (Rear Planetary).....	98-ON	1	JF402E.GE01
811D	Front Planetary Assembly	98-ON	1	JF402E.PL01
812D	Rear Planetary Assembly.....	98-ON	1	JF402E.PL02
813D	Rear Sun Gear.....	98-ON	1	JF402E.SUN02
814D	Front Sun Gear Assembly.....	98-ON	1	JF402E.SUN01
820E	High Clutch Drum.....	98-ON	1	JF402E.DRU02
822F	Reverse Clutch Drum.....	98-ON	1	JF402E.DRU03
SPECIAL ITEMS				
TOOLS & MANUALS				

ILL NO.	DESCRIPTION	YEARS	QTY	PART NO
---------	-------------	-------	-----	---------