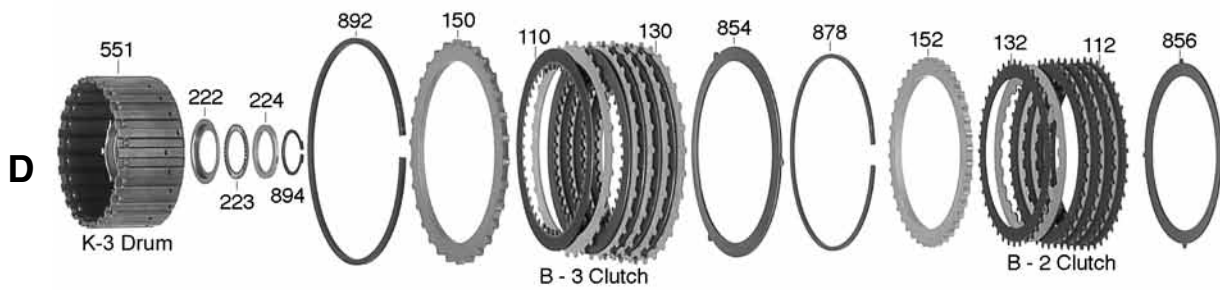
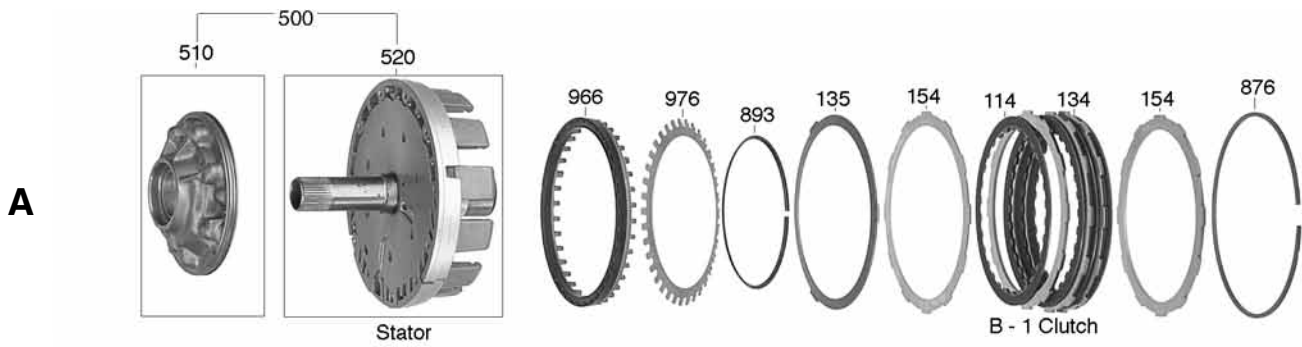
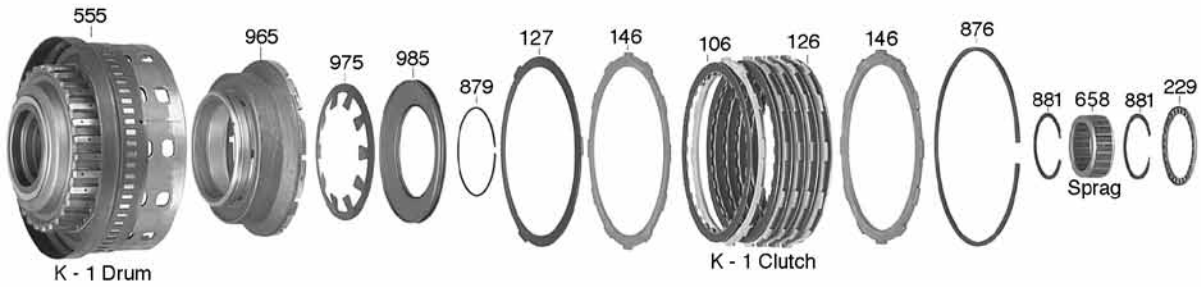
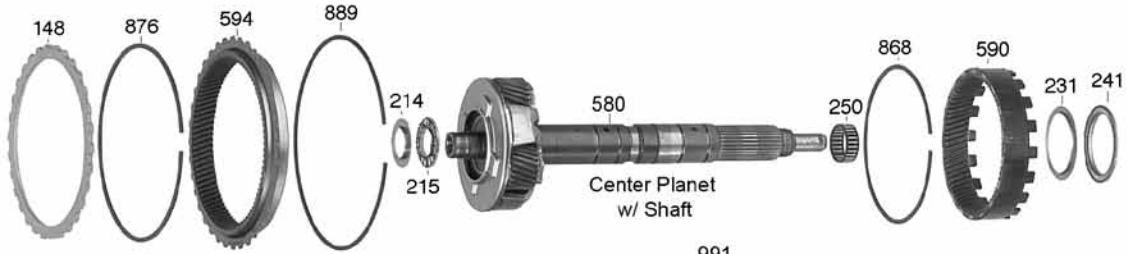


# Mercedes 722.6

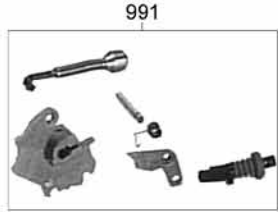
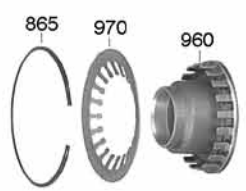




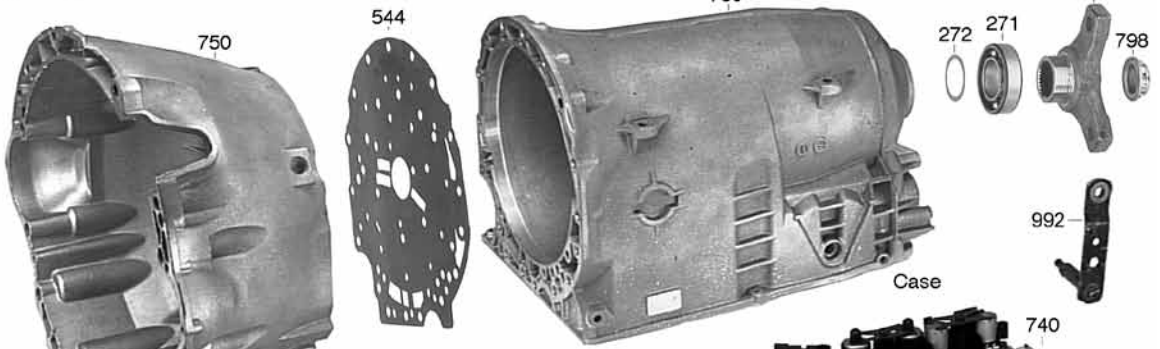
F



G



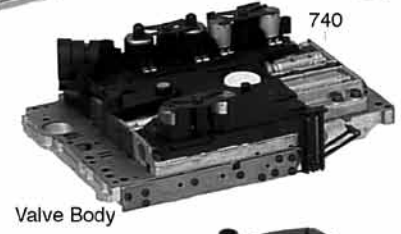
H



I

Bell Housing

Deluxe Kit	008
Compliance Kit	007
Master Kit	006
Less Steel Kit	004
Overhaul Kit	002
Bushing Kit	030
Washer Kit	200
Bearing Kit	201
Technical Manual	400
Pump Part	507
Valve Body Parts	741
Case Parts	761
Note: Not all items are available for all transmissions	



Valve Body



J

K

Pan

# Mercedes

## 722.6



78300A



78010A

ILL.	DESCRIPTION	QTY.	YEAR	PART NO.	REF. NO.
<b>MASTER OVERHAUL KITS (WITH STEELS)</b>					
006K	w/ Pistons (Double Sided B1, K1, K3 Frictions) (5.25" ID K2 Frictions).....	1	96-Up	78006	N.L.
006K	w/ Pistons (Double Sided B1, K1, K3 Frictions) (5.45" ID K2 Frictions).....	1	96-Up	78006A	N.L.
006K	w/ Pistons (All Single Sided Frictions) (5.25" ID K2 Frictions).....	1	02-Up	78006C	N.L.
006K	w/ Pistons (All Single Sided Frictions) (5.45" ID K2 Frictions).....	1	02-Up	78006D	N.L.
<b>LESS STEEL KITS</b>					
004K	w/ Pistons (Double Sided B1, K1, K3 Frictions) (5.25" ID K2 Frictions).....	1	96-Up	78004	N.L.
004K	w/ Pistons (Double Sided B1, K1, K3 Frictions) (5.45" ID K2 Frictions).....	1	96-Up	78004A	N.L.
004K	w/ Pistons (All Single Sided Frictions) (5.25" ID K2 Frictions).....	1	02-Up	78004C	N.L.
004K	w/ Pistons (All Single Sided Frictions) (5.45" ID K2 Frictions).....	1	02-Up	78004D	N.L.
<b>OVERHAUL KITS (W/ RINGS &amp; SEALS)</b>					
002K	722.6 (w/o Pistons).....	1	96-Up	78002	140-270-6500
<b>FILTER KITS</b>					
011K	Filter Kit.....	1	96-Up	78011A	N.L.
<b>FILTERS</b>					
010K	Filter.....	1	96-Up	78010A	140-277-0095
<b>BUSHINGS</b>					
030K	Bushing Kit (Drum & Output Shaft) (Upgraded).....	1	96-Up	78030B	N.L.
034	Front Pump Body.....	1	96-Up	78034	68004-01
037	Stator (Rear).....	1	96-Up	78037	68915-01
047	Input Shaft.....	1	96-Up	78047	68410-01
<b>METAL CLAD SEALS</b>					
070	Front Pump.....	1	96-Up	68070B	004-997-2847
074	Rear (2wd).....	1	96-Up	78074	N.L.
074	Rear (4wd).....	1	96-Up	78074A	210-997-0746
<b>FRICION PLATES</b>					
114A	B1 Clutch (Two Sided Friction).....	2-4	96-Up	78114	140-272-0025
114A	B1 Clutch (One Sided Friction w/ Internal Teeth).....	2-4	02-Up	78114C	N.L.
134A	B1 Clutch (One Sided Friction w/ External Teeth).....	2-4	02-Up	78134C	N.L.
112D	B2 Clutch (External Teeth).....	4-5	96-Up	78112	140-272-0026
110D	B3 Clutch.....	3-5	96-Up	78110	140-272-0626
106F	K1 Clutch.....	3-6	96-Up	78114	140-272-0025
106F	K1 Clutch (One Sided Friction w/ Internal Teeth).....	3-6	02-Up	78114C	N.L.
126F	K1 Clutch (One Sided Friction w/ External Teeth).....	3-6	02-Up	78134C	N.L.
108B	K2 Clutch (5.25" ID) (Measure Tip of Tooth to Tip of Tooth).....	3-4	96-Up	78108	210-272-0025
108B	K2 Clutch (5.45" ID) (Measure Tip of Tooth to Tip of Tooth).....	5-6	96-Up	78108A	140-272-0125
102C	K3 Clutch (.063") (Two Sided Frictions).....	3-5	96-97	78102A	140-272-0225
102C	K3 Clutch (.085") (replaces .063" frictions if 78122A Steels are used also).....	4-5	96-Up	78102	140-272-0725
102C	K3 Clutch (One Sided Friction w/ Internal Teeth).....	4-5	02-Up	78102B	N.L.
122C	K3 Clutch (One Sided Friction w/ External Teeth).....	4-5	02-Up	78122B	N.L.
<b>STEEL PLATES</b>					
134A	B1 Clutch (.071").....	1	96-Up	78134	140-272-0226
134A	B1 Clutch (.110").....	3-5	96-Up	78134B	140-272-2826
134A	B1 Clutch (.138").....	2-3	96-Up	78134A	140-272-0326
134A	B1 Clutch (.157").....	1-2	96-Up	78134D	140-272-0426
132D	B2 Clutch (Internal Teeth).....	3-4	96-Up	78132	140-272-0425
130D	B3 Clutch.....	3-5	96-Up	78130	140-272-1826

722.6

ILL.	DESCRIPTION	QTY.	YEAR	PART NO.	REF. NO.
<b>STEEL PLATES (Cont.)</b>					
126F	K1 Clutch (.071").....	1	96-Up	78134	140-272-0226
126F	K1 Clutch (.110").....	3-5	96-Up	78134B	140-272-2826
126F	K1 Clutch (.138").....	3-5	96-Up	78134A	140-272-0326
126F	K1 Clutch (.157").....	1-2	96-Up	78134D	140-272-0426
128B	K2 Clutch (.071").....	1	96-Up	78128	140-272-0626
128B	K2 Clutch (.110").....	2-5	96-Up	78128B	140-272-2926
128B	K2 Clutch (.138").....	2-5	96-Up	78128A	140-272-0726
122C	K3 Clutch (.071").....	1	96-Up	78122	140-272-1026
122C	K3 Clutch (.110").....	3-4	96-Up	78122A	140-272-2726
122C	K3 Clutch (.138").....	3-4	96-97	78122C	140-272-1126
<b>PRESSURE PLATES</b>					
<b>Prefix Key: D = OEM, A = Aftermarket New, U = Quality Inspected</b>					
146F	K1 (12T) (.156").....	1	96-Up	78154	N.L.
150D	B3 (Top) (30T) (.255").....	1	96-Up	78150	N.L.
152D	B2 (40T) (.255").....	1	96-Up	78152	N.L.
154A	B1 (12T) (.156").....	1	96-Up	78154	N.L.
<b>BEARINGS &amp; RACES</b>					
211	Bearing, Input Shaft w/ Sealing Ring.....	1	96-Up	78211K	68410-02K
232	Shim Kit, End Play Adjustment (Superior).....	1	96-Up	78232K	K090
<b>GASKETS &amp; O-RINGS</b>					
300K	Bottom Pan (Molded Rubber).....	1	96-Up	78300A	140-271-0080
311	O-Ring, Pump.....	1	96-Up	68311B	016-997-1448
371	Seal, Filler Tube.....	1	96-Up	72371	4810021AB
<b>TECHNICAL MANUALS</b>					
400K	Tech Manual & Video (Updates & Diagnostics) (ATSG).....	1	96-Up	78400	722.6 W/VIDEO
400K	Rebuild Procedures (ATSG).....	1	96-Up	78400A	722.6
<b>ELECTRICAL COMPONENTS</b>					
420	Solenoid, Shift (2 O-Rings) (140-277-05-35 Marking).....	3	96-Up	78421	140-277-0535
425	Solenoid, Lock-Up (TCC) / PWM (1 O-Ring) (140-277-04-35 Marking).....	1	96-Up	78425	140-277-0435
431	Solenoid, Line & Shift Pressure (No O-Rings) (140-277-03-98 Marking).....	2	96-Up	78431	140-277-0398
444	Solenoid Connector Plate (Round Dip Stick Guide).....	1	96-Up	78444	68049181AA
444	Solenoid Connector Plate (U-Shaped Dip Stick Guide).....	1	05-Up	78444A	52108308AC
444	Case Connector to Harness Sleeve.....	1	96-Up	78444B	05120265AA
444	Case Connector to Connector Plate.....	1	96-Up	78444C	203-540-0253
444	Harness Sleeve Cap.....	1	96-Up	78444D	001-545-2683
<b>HARD PARTS</b>					
<b>Prefix Key: D = OEM, A = Aftermarket New, R = Remanufactured, U = Quality Inspected</b>					
<b>PUMPS</b>					
510A	Pump Body w/ Gears.....	1	96-Up	78510	05080070AB
520A	Stator (2 Double Sided Clutches) (Mercedes).....	1	96-Up	78520	N.L.
520A	Stator (3 Double Sided Clutches) (Mercedes).....	1	96-Up	78520A	N.L.
520A	Stator (4 Double Sided Clutches) (Mercedes).....	1	96-Up	78520B	N.L.
520A	Stator (3 Single Sided Clutches) (Chrysler).....	1	04-Up	78520C	52108539AC
544I	Plate, Pump.....	1	96-Up	78544	140-277-4214
<b>DRUMS &amp; CLUTCH HUBS</b>					
551D	K3 (3 Clutch).....	1	96-Up	78551	N.L.
551D	K3 (4 Clutch) (Exc Magnum).....	1	04-Up	78551A	52108548AA
551D	K3 (4 Clutch) (Magnum Only).....	1	04-Up	78551B	52108548AB
552E	B2 (3.200" Thick) (Cast 2102721931).....	1	04-Up	78552A	52108395AA
552E	B2 (3.500" Thick) (Cast 2022720431).....	1	96-Up	78552	N.L.
554B	K2 (78T Ring Gear) (Bushing Type).....	1	96-Up	78554B	N.L.
554B	K2 (78T Ring Gear) (Caged Needle Bearing Type).....	1	04-Up	78554C	52108044AA
554B	K2 (90T Ring Gear) (Bushing Type).....	1	96-Up	78554	N.L.
554B	K2 (90T Ring Gear) (Caged Needle Bearing Type).....	1	96-Up	78554A	N.L.

# Mercedes

## 722.6

ILL.	DESCRIPTION	QTY.	YEAR	PART NO.	REF. NO.
<b>DRUMS &amp; CLUTCH HUBS (Cont.)</b>					
555F	K1 (3 Clutch).....	1	96-Up	78555	N.L.
555F	K1 (5 Clutch) (Exc Sprinter).....	1	04-Up	78555A	52108510AC
555F	K1 (5 Clutch) (Sprinter Only).....	1	03-Up	78555C	52108510AA
560	K2 Piston Kit (1.495" Thick Piston).....	1	04-Up	78560A	N.L.
560	K2 Piston Kit (1.775" Thick Piston).....	1	96-Up	78560	N.L.
561	K3 Piston Kit.....	1	96-Up	78561	N.L.
562	B2 Piston Kit.....	1	03-Up	78562	N.L.
565	K1 Piston Kit.....	1	03-Up	78565	N.L.
<b>PLANETS</b>					
580C	Planet w/ Shaft, Center (34T Sprag) (Mercedes).....	1	96-Up	78580	N.L.
580C	Planet w/ Shaft, Center (30T Sprag) (Chrysler).....	1	04-Up	78580A	52107929AA
582B	Planet, Front (3 Gear) (Mercedes).....	1	96-Up	78582	N.L.
582B	Planet, Front (4 Gear) (Chrysler).....	1	04-Up	78582A	52108513AA
583	Geartrain (30T / 50T Sun Gears) (Mercedes).....	1	96-Up	78583	N.L.
583	Geartrain (34T / 54T Sun Gears) (Mercedes).....	1	96-Up	78583A	N.L.
583	Geartrain (30T / 60T Sun Gears) (Chrysler).....	1	04-Up	78583B	N.L.
583	Geartrain (34T / 65T Sun Gears) (Chrysler).....	1	04-Up	78583C	N.L.
584G	Planet, Rear (3 Gear) (54T Sun Gear Type) (4.025" Tall) (Mercedes).....	1	96-Up	78584	N.L.
584G	Planet, Rear (3 Gear) (60T Sun Gear Type) (4.290" Tall) (Mercedes).....	1	96-Up	78584	N.L.
584G	Planet, Rear (3 Gear) (65T Sun Gear Type) (4.025" Tall) (Mercedes).....	1	96-Up	78584	N.L.
584G	Planet, Rear (4 Gear) (60T Sun Gear Type) (Chrysler).....	1	04-Up	78584A	52108513AA
590G	Ring Gear, Center (69T) (Mercedes).....	1	96-Up	78590	N.L.
590G	Ring Gear, Center (74T) (Chrysler).....	1	04-Up	78590A	52108379AA
594G	Ring Gear, Rear (87T) (Mercedes).....	1	96-Up	78594	N.L.
594G	Ring Gear, Rear (90T) (Mercedes).....	1	96-Up	78594A	N.L.
594G	Ring Gear, Rear (108T) (Mercedes).....	1	04-Up	78594B	52107922AA
594G	Ring Gear, Rear (103T) (Chrysler).....	1	04-Up	78594C	52107922AA
<b>SUN GEARS, SHELLS &amp; SUPPORTS</b>					
610C	Sun Gear, Center (34T) (Mercedes).....	1	96-Up	78610	N.L.
610C	Sun Gear, Center (30T) (Chrysler).....	1	04-Up	78610A	52108078AA
614C	Sun Gear, Rear (54T) (Mercedes).....	1	96-Up	78614	N.L.
614C	Sun Gear, Rear (50T) (Mercedes).....	1	96-Up	78614A	N.L.
614C	Sun Gear, Rear (30T) (Mercedes).....	1	96-Up	78614A	N.L.
614C	Sun Gear, Rear (60T) (Chrysler exc Dodge Magnum).....	1	04-Up	78614B	52108519AA
614C	Sun Gear, Rear (65T) (Dodge Magnum).....	1	04-Up	78614C	N.L.
634E	Support, B2 / Rear.....	1	96-Up	78634	52108182AA
<b>SPRAGS</b>					
654C	Sprag, Rear (F2) (1 End Cap, 20 Element) (Replaces 14 Element).....	1	96-Up	78654A	220-270-0131
658F	Sprag, Front (F1) (2 End Caps, 21.46mm ID).....	1	96-Up	78658	210-270-0031
658F	Sprag, Front (F1) (2 End Caps, 23.46mm ID).....	1	06-Up	78658A	N.L.
<b>VALVE BODIES</b>					
740J	Valve Body (Premium) Stamped 0006 (Jaguar).....	1	98-Up	P78740-1	N.L.
740J	Valve Body (Premium) Stamped 0206.....	1	96-97	P78740-2	N.L.
740J	Valve Body (Premium) Stamped 0506.....	1	96-97	P78740-3	N.L.
740J	Valve Body (Premium) Stamped 0406.....	1	96-00	P78740-4	N.L.
740J	Valve Body (Premium) Stamped 0606.....	1	00-Up	P78740-5	N.L.
740J	Valve Body (Premium) (NAG1 Chrysler Only).....	1	03-Up	P78740-6	N.L.
740J	Valve Body (Cast 52108216AA).....	1	04-Up	78740E	52108213AB
740J	Valve Body (Sprinter Only).....	1	03-Up	78740F	05080262AA
741	Kit, Overlap Control Sleeves.....	1	96-Up	78741DK	68942-05K
741	Spring, Pressure Regulator (Does not fit 00-Up).....	1	96-99	78741P-3	68942-01
741	Overlap Control Sleeve Kit.....	1	96-Up	78741DK	68942-05K
741	Lube Pressure Control Valve Kit (Sonnax) (req T-F-68942-TL14 & T-VB-FIX).....	1	96-Up	S78741P-1K	68942-14K
741	Lube Pressure Regulator Repair Kit (Superior).....	1	96-Up	78741HRK	K093
741	Valves (Refill for 78741HRK) (Superior).....	1	96-Up	78741HRF	K094



ILL.	DESCRIPTION	QTY.	YEAR	PART NO.	REF. NO.
<b>CASES &amp; HOUSINGS</b>					
750I	Bell Housing, Square (4.625" Bolts) (Mercedes) .....	1	96-Up	78750	N.L.
750I	Bell Housing, Round (5.750" Bolts) (Mercedes) .....	1	96-Up	78750A	N.L.
750I	Bell Housing, Round (6.000" Bolts) (Mercedes) .....	1	96-Up	78750B	N.L.
750I	Bell Housing, Round (8.750" Bolts) (Chrysler).....	1	04-Up	78750C	N.L.
760I	Case, 2wd (Sensor at Rear, Cast 140272801) (Mercedes).....	1	96-Up	78760	N.L.
760I	Case, 2wd (Sensor at Rear, Cast 9012710001) (Mercedes).....	1	96-Up	78760A	N.L.
760I	Case, 2wd (Cast 013AA-03 or 013AA-E) (Chrysler).....	1	04-Up	78760C	N.L.
760I	Case, 4wd (12 Bolt Rear) (Chrysler).....	1	04-Up	78760B	N.L.
765K	Pan (w/ Plug) (Mercedes).....	1	96-Up	78765	N.L.
765K	Pan (w/o Plug) (Chrysler).....	1	04-Up	78765A	52108327AA
765K	Pan (Sprinter).....	1	03-Up	78765B	52108326AA
770	Extension Housing (12 Bolt) (Cast 52108571AA) (Chrysler).....	1	04-Up	78770	N.L.
<b>MISCELLANEOUS COMPONENTS</b>					
690E	Park Gear (16 Lug) .....	1	96-Up	78690	52108180AA
841I	Yoke, Flanged (2wd) .....	1	96-Up	78841	N.L.
841I	Yoke, Sleeve (4wd) (Chrysler) .....	1	96-Up	78841A	N.L.
854D	Cushion, B3 (3T).....	1	96-Up	78854	N.L.
856D	Cushion, B2 (4T).....	1	96-Up	78856	N.L.
967E	Piston, B1 (.700" Tall) (Bonded).....	1	96-01	78967	140-272-1631
967E	Piston, B1 (.880" Tall) (Bonded).....	1	02-Up	78967A	220-272-0331
991H	Linkage, 7 Piece w/ Sensor (Mercedes) .....	1	96-Up	78991	N.L.
991H	Linkage, 4 Piece, No Sensor (Chrysler).....	1	04-Up	78991A	N.L.
992	Shift Lever, Ext (Straight).....	1	96-Up	78992	N.L.
992	Shift Lever, Ext (Offset).....	1	04-Up	78992A	N.L.
998	Park Pawl Assembly (5 Pieces) .....	1	96-Up	78995	N.L.
Tool	Dipstick Fluid Measuring Tool (Chrysler C Class, LX, WK, Jeeps w/ NAG1).....	1	96-Up	T-9336A	N.L.
Tool	Dipstick Fluid Measuring Tool (Chrysler Sprinter & Crossfire) .....	1	96-Up	T-9336B	N.L.
Tool	Dipstick Fluid Measuring Tool (Mercedes).....	1	96-Up	T-9336C	N.L.
<b>SONNAX PRODUCTS</b>					
VOL.	DESCRIPTION	PAGE	ILL.	PART NO.	SONNAX NO.
Vol 8	Bearing & Seal Kit (For K2 Clutch Drum).....	130	N.I.	78211K	68410-02K
Vol 8	Bushing, Input Shaft.....	130	N.I.	78047	68410-01
Vol 8	Bushing, Pump.....	130	N.I.	78034	68004-01
Vol 8	Bushing, Pump (Finish-in-place) (Machining Required) .....	130	N.I.	S78034A	68004-02
Vol 8	Bushing, Rear Pump Stator .....	130	N.I.	78037	68915-01
Vol 8	Lubricating Pressure Control Valve Kit (T-F-68942-TL14 & T-VB-FIX req).....	130	7	S78741P-1K	68942-14K
Vol 8	Manual Valve O.S. (T-F-68942-TL16 & T-VB-FIX req).....	130	3	S78741M	68942-16
Vol 8	Overlap Control Valve Sleeve Kit (3 Sleeves).....	130	1	78741DK	68942-05K
Vol 8	Overlap Control Valve Kit, 1-2, 4-5 (T-F-68942-TL19 & T-VB-FIX req).....	130	10	S78741D-1K	68942-19K
Vol 8	Overlap Control Sleeve, 1-2, 4-5 .....	130	1c	S78741A-2	68942-02
Vol 8	Overlap Control Valve Kit, 2-3 (T-F-68942-TL27 & T-VB-FIX req).....	130	6	S78741E-1K	68942-27K
Vol 8	Overlap Control Sleeve, 2-3.....	130	1b	S78741B-2	68942-03
Vol 8	Overlap Control Valve Kit, 3-4 (T-F-68942-TL31 & T-VB-FIX req).....	130	2	S78741F-1K	68942-31K
Vol 8	Overlap Control Sleeve, 3-4.....	130	1a	S78741C-2	68942-04
Vol 8	Pressure Reg Sleeve (Outer Bore Only) (T-F-68942-TL6 & T-VB-FIX req).....	130	9	S78741P-2	68942-06
Vol 8	Pressure Reg Valve Kit (T-F-68942-TL7 & T-VB-FIX req) .....	130	8	S78741PK	68942-07K
Vol 8	Regulating Valve Press Control Valve O.S. (T-F-68942-TL14, T-VB-FIX req).....	130	11	78741P-1KA	68942-17K
Vol 8	Solenoid Pressure Regulator Spring.....	130	12	S78741P-3	68942-01
Vol 8	TC Lockup Clutch Regulator Valve Kit (T-F-68942-TL10 & T-VB-FIX req) .....	130	5	S78741QK	68942-10K
Vol 8	TCC Damper Valve & Sleeve Kit .....	130	4	S78741G-1K	68942-23K